



SierraSeries™ WATER- AND FIRE-RESISTANT SOLID COLOR REINFORCED COMPOSITE TOILET PARTITIONS AND URINAL SCREENS

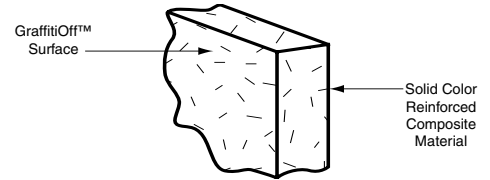
1090 SERIES

Specify Product Application:

- Toilet Partitions
- Dressing Compartments
- Shower Dividers
- Urinal Screens
- With Outswing Door
- With Institutional Hardware (.67)

Specify Series Required:

- 1091 Series Floor-Anchored (Screens only)
- 1092 Series Overhead-Braced
- 1093 Series Post-to-Ceiling (Screens only)
- 1095 Series Wall-Hung (Screens only)



STANDARD-SIZE COMPONENTS:

Stiles: For compartments — 3", 4", 5", 6", 8", 10", 12", 16", 20", or 24" (8, 10, 13, 15, 20, 25, 30, 41, 51, or 61cm) wide; *overhead-braced* — 83" (211cm) high.

Doors: 58" (147cm) high. *Inswing doors* are standard for 22" to 37" (56–94cm) widths in whole-inch increments. *Outswing doors* are standard for 25" to 37" (64–94cm) widths in whole-inch increments.

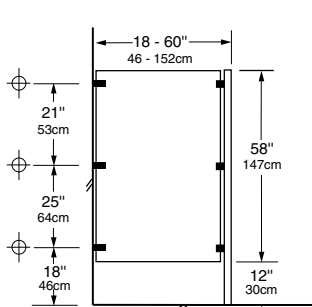
Wall Posts: — 1-1/2" wide x 58" high (4 x 147cm).

Panels: For compartments — Up to 84" (213cm) wide; 58" (147cm) high. For *wall-hung screens* — 18" or 24" (46 or 61cm) wide; 42" or 48" (107 or 122cm) high. For *post-to-ceiling screens* — 24", 36", 48", or 60" (61, 91, 122, or 152cm) wide; 58" (147cm) high.

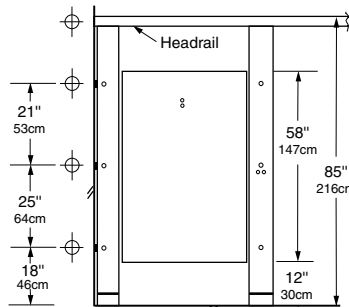
Posts: For 1093 Series *post-to-ceiling screens only*. 1-1/4" (3cm) square. 10 ft (305cm); cut to required height in field.

^a Use *outswing doors* to comply with local codes requiring access for physically disabled persons.

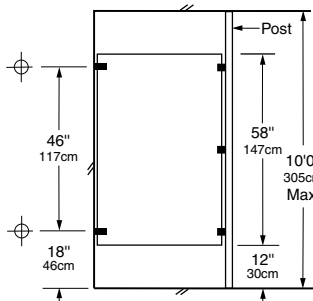
COMPARTMENT AND SCREEN ELEVATIONS



1091 Series Floor-Anchored Screen



1092 Series Overhead-Braced



1093 Series Post-to-Ceiling Screen

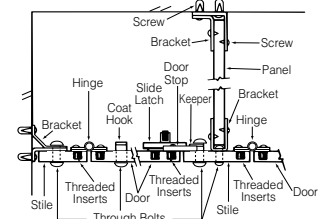


1095 Series Wall-Hung Screen 42" or 48"

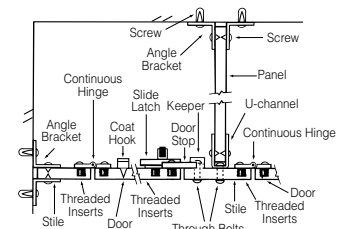
⊕ These mounting points require backing. For suggested backing methods, Bobrick Advisory Bulletins TB-32 for ceiling-hung installations and TB-46 for floor-anchored are available upon request.

TYPICAL HARDWARE DETAILS

Heavy-Duty Hardware (standard)



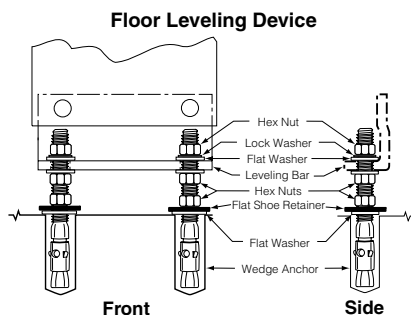
Institutional Hardware (.67 option)



Standard gaps are provided at all walls and between components to allow for hardware attachment.

Wall gaps are standard 1/2" to 1"

TYPICAL INSTALLATION DETAILS



The illustrations and descriptions herein are applicable to production as of the date of this Technical Data Sheet. The manufacturer reserves the right to, and does from time to time, make changes and improvements in designs and dimensions.

MATERIALS:

Stiles — 3/4" (19mm) thick, Solid Color Reinforced Composite with GraffitiOff™ surface thermoset and integrally fused into one homogenous piece. Surface, edge, core are to be the same color. **Leveling Device:** 7 gauge, 3/16" (5mm) thick, corrosion-resistant, chromate-treated, double zinc-plated steel angle leveling bar bolted to stile; furnished with 3/8" (10mm) stainless steel diameter threaded wedge anchor, hex nuts, lock washer, flat washers, and shoe retainers. **Shoe:** 18-8 S, type-304, 22-gauge (0.8mm) stainless steel with satin finish; 4" (102mm) high.

Panels — 1/2" (13mm) thick, Solid Color Reinforced Composite with GraffitiOff® surface thermoset and integrally fused into one homogeneous piece. Surface, edge, core are to be the same color.

Doors — 3/4" (19mm) thick, Solid Color Reinforced Composite with GraffitiOff® surface thermoset and integrally fused into one homogeneous piece. Surface, edge, core are to be the same color.

Posts (for 1093 Series screens only) — 1-1/4" (32mm) square tubing; 18-8 S, type-304, 18-gauge (1.2mm) stainless steel with satin finish. Floor and ceiling connections are constructed of 18-8 S, type-304, heavy-gauge stainless steel. Furnished in 10-ft (305-cm) lengths; to be cut in field to job specifications.

Headrail (for 1092 Series compartments only) — Extruded anodized aluminum with satin finish. Enclosed construction with sloping top. Face has raised grip-resistant edge.

Designer's Notes: Headrails with integral curtain tracks and hooks are available for compartments without doors. Optional vinyl curtains are available.

Wall Posts — 1" x 1-1/2" (25 x 38mm) tubing; 18-8 S, type-304, 16-gauge (1.6mm) stainless steel with satin-finish. 58" (147cm) high, pre-drilled for door hardware.

Heavy-Duty Hardware (standard) — Hinges, door latches, door keepers, clothes hooks, door stop plates, and mounting brackets are constructed of 18-8 S, type-304, heavy-gauge stainless steel with satin finish. Threaded inserts are factory installed for securing hinges, door stop plates, and door latches. Theft-resistant, stainless steel pin-in-head Torx screws are furnished for door hardware and all mounting brackets. Barrel hinge is adjustable to adjust door swing of unoccupied toilet compartment from partially open to fully closed. Toilet compartment door is locked from inside by sliding door latch into keeper. Threaded inserts are factory installed to secure door hinges, latch and door stops. Two door stops prevents door from being kicked in/out beyond stile by vandals. Mounting screws for stile to panel bracket, latch keeper, and coat hook connections are through-bolted.

Institutional Hardware (.67 option) — Hinges, door latches, door keepers, clothes hook, U-channels, door stop plates and angle brackets are constructed of 18-8 S, type-304, heavy-gauge stainless steel with satin finish: one-piece, full-height hinge is 16 gauge (1.6mm); one-piece door keeper is 11 gauge (3.2mm); one-piece, full-height U-channels and angle brackets are 18 gauge (1.2mm). U-channels secure panels to stiles, and angle brackets secure panels and stiles to walls. Door latch slides on a shock-resistant nylon track. Two door stops prevent door from being kicked in/out beyond stile by vandals. Theft-resistant, stainless steel pin-in-head Torx screws are furnished for door hardware, U-channels, and angle brackets. Doors are equipped with a self-closing hinge. Threaded inserts are factory installed to secure door hinge, latch, and doorstops. Mounting screws for stile-to-panel brackets and latch keeper connections are through-bolted. *To specify institutional hardware, add suffix .67 to series number. Example: specify 1092.67 for overhead-braced partitions furnished with institutional hardware, including factory-installed threaded inserts for door hardware attachment.*

INSTALLATION:

Bobrick installation instructions are packed with each shipment and are available also in advance on request.

Notes:

1. Wall backing is required to secure the mounting brackets of panels, stiles, and wall posts. For suggested wall backing, see Bobrick Advisory Bulletin TB-46.
2. Bobrick stainless steel partition-mounted washroom accessories are available for mounting in panels between two compartments. See current Bobrick catalog for description of accessories. Cutouts in panels can be pre-cut for Bobrick models at factory if location and size of all cutouts and Bobrick model numbers are furnished at time of order.
3. Stiles are furnished with stainless steel wedge floor anchors that require 2" (50mm) penetration into 3" (75mm) thick structural concrete.

GUARANTEE:

Bobrick toilet partitions including all hardware and mounting brackets are guaranteed to be free from defects in material and workmanship for a period of one year from date of purchase. Any products returned to Bobrick under this guarantee will be repaired or replaced at no charge. **10-Year Warranty:** Bobrick extends a ten-year limited warranty from date of purchase for SierraSeries Solid Color Reinforced Composite partition panels, doors, and stiles against breakage, warpage, delamination and corrosion when materials are properly installed, and normally used.

SPECIFICATION:

Water-resistant, solid color reinforced composite _____ (insert one: toilet partitions, dressing compartments, shower dividers, urinal screens) shall be _____ (insert one: overhead-braced toilet partition or floor anchored, wall-hung, post-to-ceiling urinal screens). Stiles, panels and doors shall be constructed of Solid Color Reinforced Composite with GraffitiOff® surface thermoset and integrally fused into one homogeneous piece. Surface, edges and core are to be same color. Solid Color Reinforced Composite material shall be covered by a 10-year limited warranty against breakage, warpage, corrosion, and delamination. Stiles and doors shall be 3/4" (19mm) thick; panels shall be 1/2" (13mm) thick. All units shall meet ICC and NFPA Class B or UBC Class II, ASTM E 84 Fire-Resistance Standards. Stiles shall have leveling device that is concealed by a one-piece, type-304, satin-finish stainless steel shoe that is 4" (102mm) high. Stiles, panels and doors shall be _____ (insert color name and number from current Bobrick catalog). Headrails for overhead-braced compartments shall be anodized aluminum with satin finish. *All door hardware and mounting brackets shall be type-304 stainless steel with satin finish. All doors shall be supplied with three hinges. Threaded inserts shall be factory installed for securing door hinges, latches and door stops. Theft-resistant, stainless steel pin-in-head Torx screws shall be furnished for door hardware and all mounting brackets. Through bolts shall be used for securing latch keeper, coat hook and panel-to-stile brackets. A coat hook shall be furnished for each door with heavy duty hardware option. Hinges shall be adjustable to hold doors of unoccupied compartments partially open or fully closed. Two door stops shall be furnished for each door to prevent it from being kicked in/out beyond stile by vandals. Manufacturer's service and parts manual shall be provided to the building owner/manager upon completion of project.

***To specify Institutional hardware, replace end of specification paragraph with: .67 option* All door hardware, U-channels, and angle brackets shall be type-304 stainless steel with satin finish: one-piece, full-height hinges shall be 16 gauge (1.6mm); one-piece door keepers shall be 11 gauge (3.2mm); one-piece, full-height U-channels and angle brackets shall be 18 gauge (1.2mm). U-channels shall be furnished to secure panels to stiles, and angle brackets furnished to secure panels and stiles to walls. Doors shall be equipped with a self-closing hinge. Two door stops shall be furnished for each door to prevent it from being kicked in/out beyond stile by vandals. Theft-resistant, stainless steel pin-in-head, Torx screws shall be furnished for door hardware, U-channels, and angle brackets. Through bolts shall be used for securing latch keeper and panel-to-stiles brackets. Threaded inserts shall be factory installed to secure all door hinges, latches, and doorstops. Manufacturer's service and parts manual shall be provided to the building owner/manager upon request.

_____ (insert one: Toilet Partitions, Dressing Compartments, Shower Dividers, Urinal Screens) shall be _____ Series (insert series number) of Bobrick Washroom Equipment, Inc., Clifton Park, New York; Jackson, Tennessee; Los Angeles, California; Bobrick Washroom Equipment Company, Scarborough, Ontario; Bobrick Washroom Equipment Pty. Ltd., Australia; and Bobrick Washroom Equipment Limited, United Kingdom.