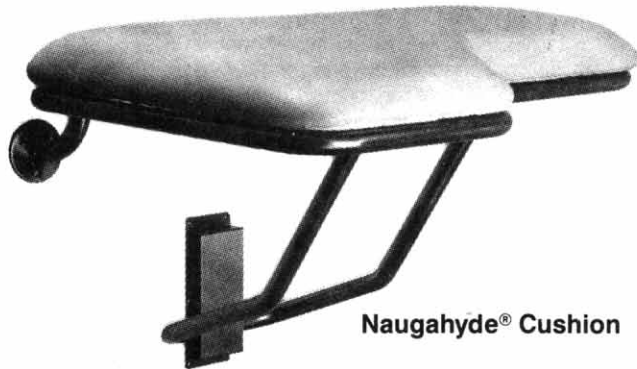


# TSM

TUBULAR SPECIALTIES MFG., INC.

13011 S. SPRING ST., LOS ANGELES, CA 90061-1685 • 213/515-4801 TOLL FREE 800/421-2961 CA ONLY 800/521-7548  
DESIGNER SERVICE: 7:00 A.M. TO 5:00 P.M. PACIFIC TIME • TELEX II: 910-346-6362 • FAX: 213/217-0653

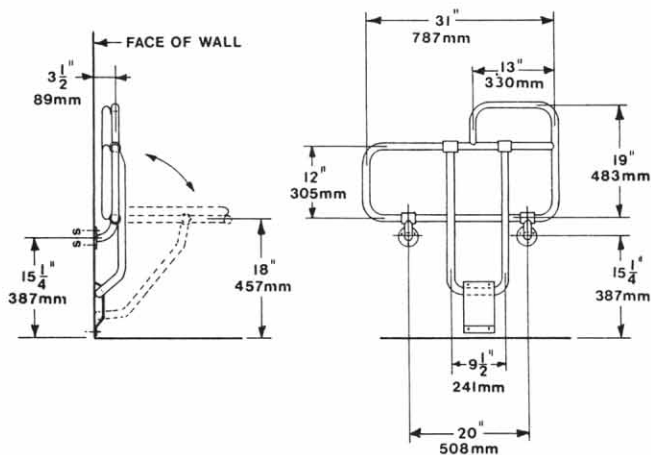
# 732



Naugahyde® Cushion

Photo Shows Right Hand

## Model # 732-A



Drawing Shows Left Hand

## WHEELCHAIR TRANSFER SEAT WITH GUIDE BRACKET



### DESIGN CONSIDERATIONS

- The Wheelchair Transfer Seat is designed for use in a handicap shower stall, 36" (914mm) x 36" (914mm). The seat's distinctive shape allows a patient to transfer from a wheelchair to the narrow part of the seat and slide across to the wide section, which is installed at the corner. In addition, the patient can use the corner walls for support. Grab bars should be specified in conjunction with this seat.
- TSM shower seats are recommended for hospitals, nursing homes, and dormitories.
- Not only is Naugahyde® the most comfortable of the three seat surfaces, but the new seamless design of the cushion renders the surface virtually waterproof.
- Teakwood is the ideal choice for those preferring a natural surface of real wood for, although it requires periodic oiling, it is long lasting and water resistant.
- Phenolic is a handsome alternate to teakwood, providing a wood-grain look without the occasional oiling required of real wood. Phenolic is a high pressure laminate which is virtually impervious to water.
- All TSM shower seats are manufactured to hold a minimum of 300 pounds (136.4kg) when correctly installed.
- In-wall backing (see Installation, Reference Section C) is required for every shower seat installation; consult local codes to assure compliance.
- TSM offers a greater variety of shower seat designs than any other manufacturer, with a color spectrum wide enough to accommodate any bathroom color scheme. Custom seats are also available; please contact the factory with any questions regarding the scope of design alternatives.

### MODEL NUMBERS (select one)

- 732-A—Naugahyde® Cushion
- 732-T—Teakwood Slats
- 723-PH—Woodgrain Phenolic Slats



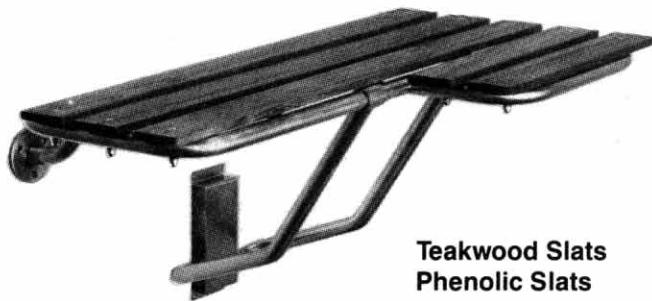
### FINISH (select one)

Naugahyde® Cushion only:

- Off-White (standard)
- Other (additional charge; see Finish Schedule, Reference Section A, for options)



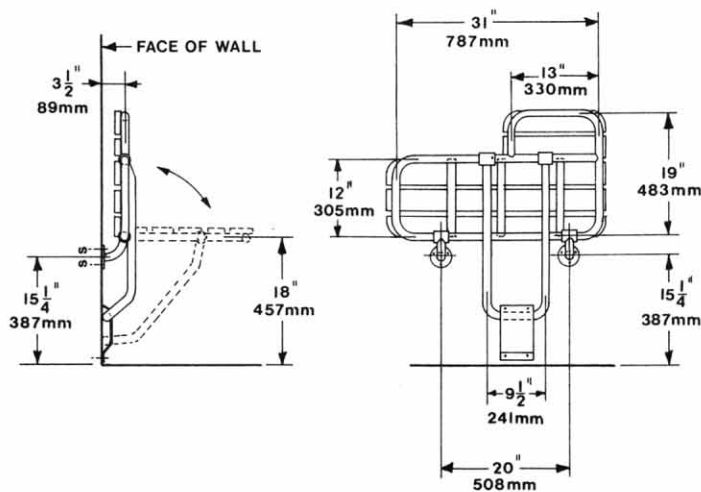
**GUARANTEED PRODUCT**  
SEE PAGE 3 FOR COMPLETE DETAILS



Teakwood Slats  
Phenolic Slats

Photo Shows Left Hand

Model # 732-T  
Model # 732-PH



Drawing Shows Left Hand



## OPERATION

Guide bracket supports U-shaped legs, which move freely up and down, allowing seat to be lowered to sitting position or to be folded against the wall and held in place by clip with spring action.



## SUGGESTED ARCHITECTURAL SPECIFICATION

TSM model \_\_\_\_\_ (fill in model number) Wheelchair Transfer Seat with Guide Bracket from Tubular Specialties Manufacturing, Inc., Los Angeles, California, (213) 515-4801. Frame: stainless steel tubing Type 304 (18-8) 1" (25mm) x 18 gauge (1.2mm), satin finish. Seat: \_\_\_\_\_ (SELECT ONE: Naugahyde® cushion in \_\_\_\_\_ [select color from Finish Schedule] covering 2-1/2" [64mm] thick foam rubber; 2-13/16" [71mm] x 1/2" [13mm] teakwood slats; OR 2-13/16" [71mm] x 1/2" [13mm] woodgrain phenolic slats). Handing: \_\_\_\_\_ (right or left).



## MATERIALS/WORKMANSHIP

**Frame**—Stainless steel tubing Type 304 (18-8) 1" (25mm) x 18 gauge (1.2mm) round and 1-1/4" (32mm) x 16 gauge (1.5mm) square in satin finish, all welded construction.

**Mounting Flanges (2)**—Stainless steel Type 304 (18-8) 8 gauge (4mm) round 3" (76mm) diameter. Underslung supports of 1" (25mm) x 18 gauge (1.2mm) are heliarc welded to flanges at base, and to 1-1/4" (32mm) x 12 gauge (2.7mm) sleeves 1-1/2" (38mm) in length at top. Flanges have three 1/4" (6mm) countersunk screw holes.

**Guide Bracket**—Stainless steel Type 304 (18-8), formed construction with four 1/4" (6mm) screw holes.

**Cushion (Model 732-A)**—Naugahyde® covering 2-1/2" (64mm) thick foam rubber mounted on 1/2" (13mm) marine plywood. Seamless design.

**Teakwood Seat Slats (Model 732-T)**—Teakwood slats, 2-13/16" (71mm) x 1/2" (13mm). Bolted to frame with countersunk stainless steel machine screws and cap nuts.

**Phenolic Seat Slats (Model 732-PH)**—Solid woodgrain phenolic slats, 2-13/16" (71mm) x 1/2" (13mm). Bolted to frame with countersunk stainless steel machine screws and cap nuts.

**Fasteners**—2" (51mm) x #10 (5mm) stainless steel screws are provided along with Expandet® anchors which act as a water seal.



## INSTALLATION

Seat is surface mounted to wall through in-wall backing with two flanges at top and guide bracket below. Template and installation instructions are supplied with each seat for mounting at suggested height of 18" (457mm) above finish floor.



## DISTRIBUTION

TSM maintains a worldwide network of distributors. Call your sales representative listed in Reference Section O for the names of those nearest you.