



AMERICAN SPECIALTIES, INC.

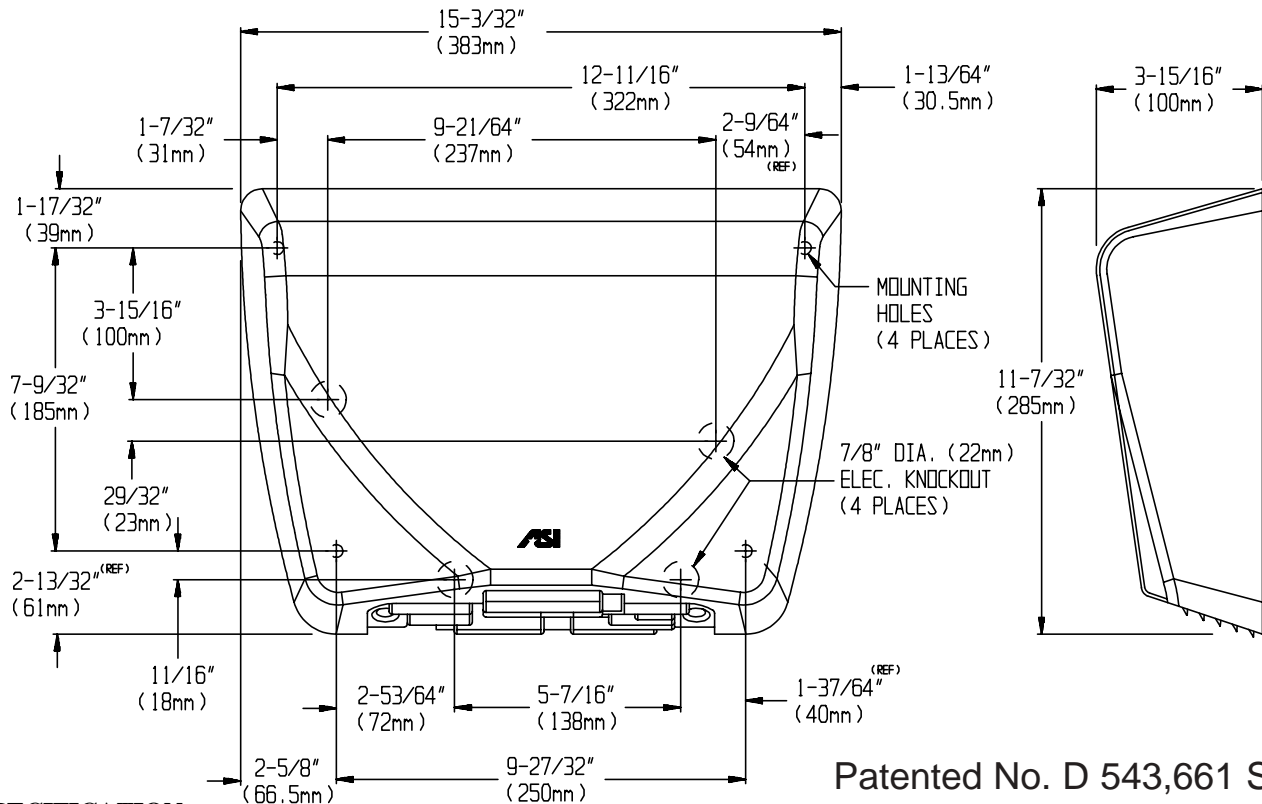
441 Saw Mill River Road, Yonkers, NY 10701 (914) 476-9000
www.americanspecialties.com

MODEL No: 0195

ISSUED: 10-05

REVISED: 8-06

SURFACE MOUNTED SENSOR HAND DRYER (pg 1/2)



Patented No. D 543,661 S

SPECIFICATION

Surface Mounted Hand Dryer shall operate automatically from IR sensor that shall activate dryer when hands are placed in sensor zone. Motor and heating element shall have internal resetting automatic thermal protection. Cover shall be fabricated of one-piece, heavy-duty cast iron 1/4" (6.4mm) thick, and shall have all exposed surfaces finished with acid, chip and scratch resistant porcelain enamel. Fixed directional air vanes shall be heavy duty, rust proof and tamper resistant. Air intake slots shall not allow access to internal parts. Back plate shall be furnished with vibration isolating mounting bushings. Circuitry shall have self-adjusting time-out and fail-safe off protection controlled by a microprocessor that shall detect and reject false signals and shall automatically self calibrate to provide uniform sensitivity over its entire life span. Entire unit shall be internally electrically grounded. Dryer unit shall have cUL_{US} approval and be listed under the re-examination services of Underwriters Laboratories, Inc. Unit shall be warranted against defects in materials or workmanship for Ten (10) years.

Surface Mounted Sensor Hand Dryer shall be Model N°0195 of by American Specialties Inc., 441 Saw Mill River Road, Yonkers, NY 10701-4913

INSTALLATION

Unit is surface mounted on wall with four (4) 1/4" screws, washers and bushings (supplied) through rubber grommets (supplied) in a corrosion protected formed heavy steel back plate. For masonry walls use expansion bolts or anchors for 1/4" (6mm) screws. Electrical service is supplied and connected (by others) prior to installing cover. Cover is secured to back plate with two (2) hex socket security screws (supplied). For compliance with ADA Accessibility Guidelines, unit should be installed so that bottom edge of dryer is 54" (1372mm) maximum above finished floor (AFF) if clear floor side reach access is provided or 48" (1219mm) max. AFF if clear floor forward reach access is only provided. For general utility install unit so that bottom edge of dryer is 45" to 50" (1143mm to 1270mm) AFF. For two or more dryers, dryers should be no closer than 24" (610mm) on center.

OPERATION

Dryer is activated by user placing hands under sensor. Dryer automatically shuts off after time-out when user removes hands from sensor zone.

Accessory Specialties

AMERICAN DISPENSER

Desert Ray Products

WATROUS INC.



AMERICAN SPECIALTIES, INC.

441 Saw Mill River Road, Yonkers, NY 10701 (914) 476-9000
www.americanspecialties.com

MODEL No: 0195

ISSUED: 10-05

REVISED: 8-06

SURFACE MOUNTED SENSOR HAND DRYER (pg 2/2)

RATINGS

MODEL	TYPE	TIMING	VOLTS HERTZ	AMPS	WATTS	COLOR*
0195	Hand	Automatic	115VAC-50/60Hz	17.6	2022	White
			208VAC-50/60Hz	15.9	1654	
			240VAC-50/60Hz	18.3	2200	

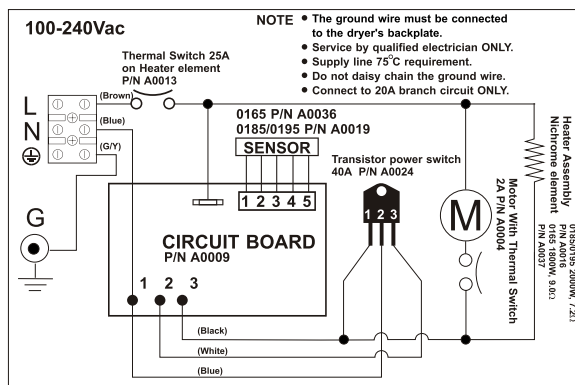
MODEL	MOTOR	H/P	RPM	FAN TYPE	AIR FLOW	HEATING ELEMENT	HEAT TEMP.
0195 115AC	Brush Type Dual Ball Bearings	1/4	7500	Single Inlet Centrifgal	185 CFM (314.5 m ³ /h)	1857 Watt Nichrome wire with auto reset circuit breaker @ 115VAC	149° F (65° C) @ 77° F (25° C) ambient room temperature
0195 208VAC						1519 Watt Nichrome wire with auto reset circuit breaker @ 104VAC	
0195 240VAC						2020 Watt Nichrome wire with auto reset circuit breaker @ 240VAC	

COLOR OPTIONS*

Unit is supplied with white finish unless color option is specified. Specify optional color (from chart below) by adding appropriate code number suffix to standard model number (i.e. 0195-40) and indicate option by circle on correct code in chart. For color chips see the **OPTIONS** section.

CODE	COLOR	CODE	COLOR	CODE	COLOR
40	Cool Grey	41	Black	71	Almond

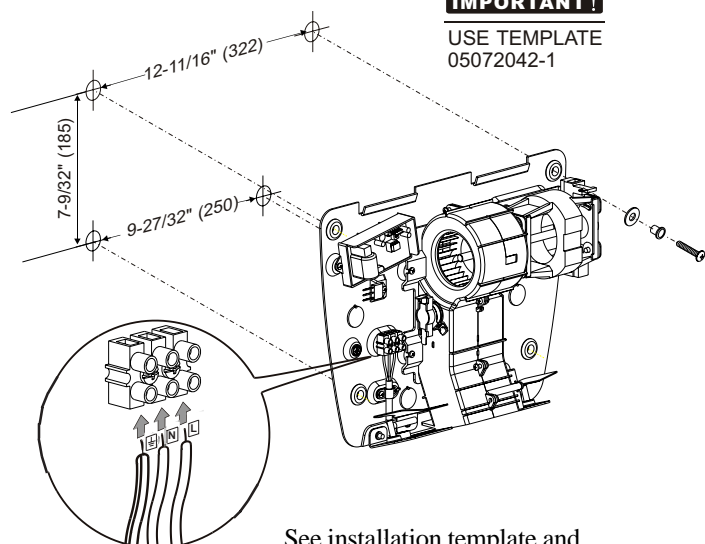
Circuit Diagram



Installation Diagram

IMPORTANT!

USE TEMPLATE
05072042-1



See installation template and
instructions packed with unit.

Accessory Specialties

AMERICAN DISPENSER

Desert Ray Products

WATROUS INC.